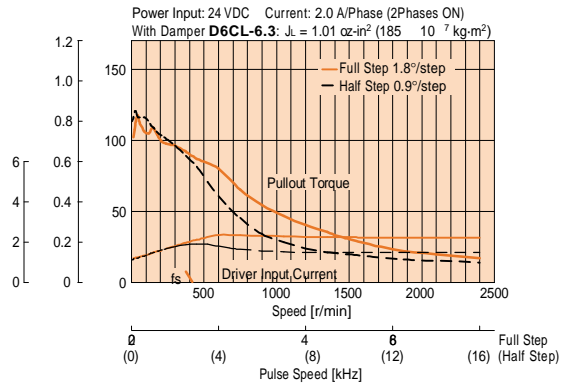


DC Stepper Motor, Model: PK266-02A

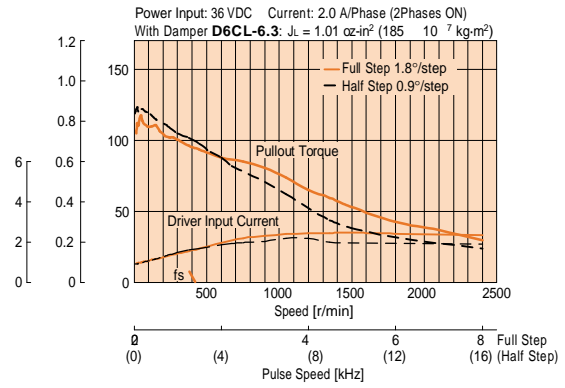
Graphical Data

Speed – Torque Characteristics (The speed-torque characteristics of the CSK Series 2-phase DC stepping motor units using this motor are described below.)

24 VDC Input

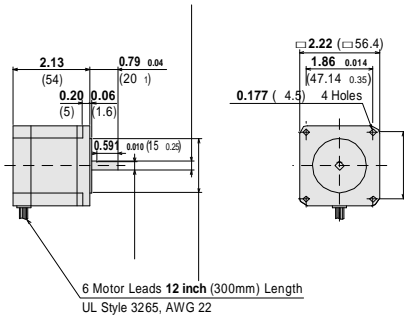


36 VDC Input



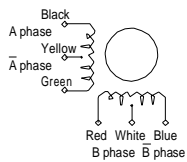
Dimensions Unit = inch (mm)

Weight: 1.54 lb. (0.7 kg)

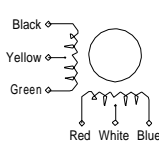


Connection Diagrams

Motor Wirings



Unipolar Connection



DC Stepper Motor, Model: PK266-02A

Specifications:

2-phase stepping motor offers balanced performance enhanced by high torque, low vibration

Motor Type:	2-Phase Full / Half-step
Motor Frame Size:	2.22 in. sq.
Connection Type:	Bipolar (Series) Unipolar
Lead Wires:	6
Current(A) per Phase:	1.4 Bipolar (Series) 2 Unipolar
Encoder:	Not Equipped
Gear/Shaft Type:	Round Shaft
Shaft:	Single
Step Angle:	1.8 °
Rotor Inertia:	1.64 oz-in ²
Max Hold Torque:	10.4 (lb-in) [Bipolar (Series)], 7.9 (lb-in) [Unipolar]

